



United Air Specialists, Inc.

a CLARCOR company

MCB SERIES



CROSS VENTILATION CARTRIDGE DUST COLLECTOR

Clean air. It's what we do.™

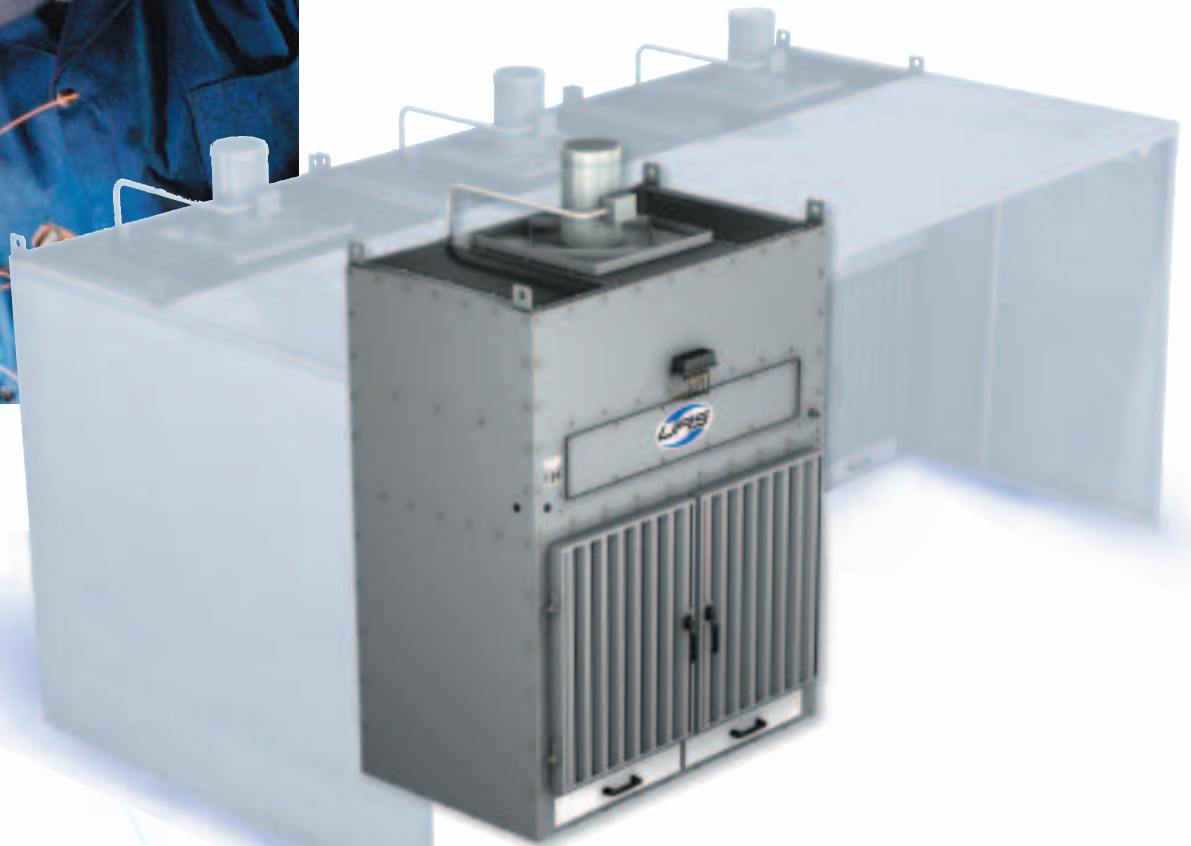
MCB SERIES

THE MOST
efficient, quiet
AND
cost-effective
SYSTEM FOR
cleaner factory air.

When it comes to superior dust collection, there's no better choice than the MCB Series Cross Ventilation Cartridge Dust Collector. Designed by the leading air quality experts at United Air Specialists, this completely self-contained system provides high-filtration efficiency, freedom from source capture obstructions and easy maintenance. Plus, it offers versatile configurations—available as a single unit or in combination with a containment booth.

A WIDE RANGE OF APPLICATIONS

Ideal for applications where source capture is impractical, MCB units remove fine airborne dust resulting from a variety of finishing operations. Because workers benefit from complete freedom of movement, excellent lighting and a clean breathing zone, they can easily perform any type of manufacturing process—from grinding, sanding and welding to abrasive blasting, batch mixing and powder coating.



Clean air. It's what we do.™

ONE COST-EFFECTIVE PACKAGE GIVES YOU ALL THESE VALUABLE FEATURES:

High-Efficiency Dust Filtration

Prevents fine dust from migrating to areas with sensitive electrical and mechanical equipment—reducing facility maintenance.

Internal Pulse Cleaning System

Ensures extremely quiet operation.

High-Efficiency Filters

Provide long filter life for a variety of applications.

Customized Booth Configurations

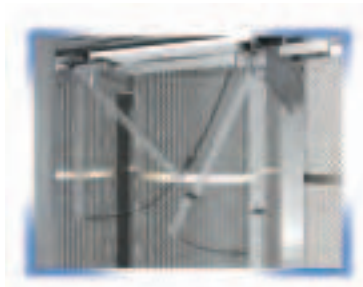
Available to meet specific requirements, as well as several options for enclosure and wall materials.

Modular Design

Allows for proper sizing for each specific user and customer application.

Cam-action Locking Device

Facilitates fast, simple and tool-free cartridge filter installation and replacement.



Backward-Inclined Airfoil Wheel & Low RPM Motor

Provides the quietest and most efficient operating system in the industry.

Powder Coated Finish

All components have electrostatically applied paint that prevents fading and chalking.

Enlarged Louver Doors

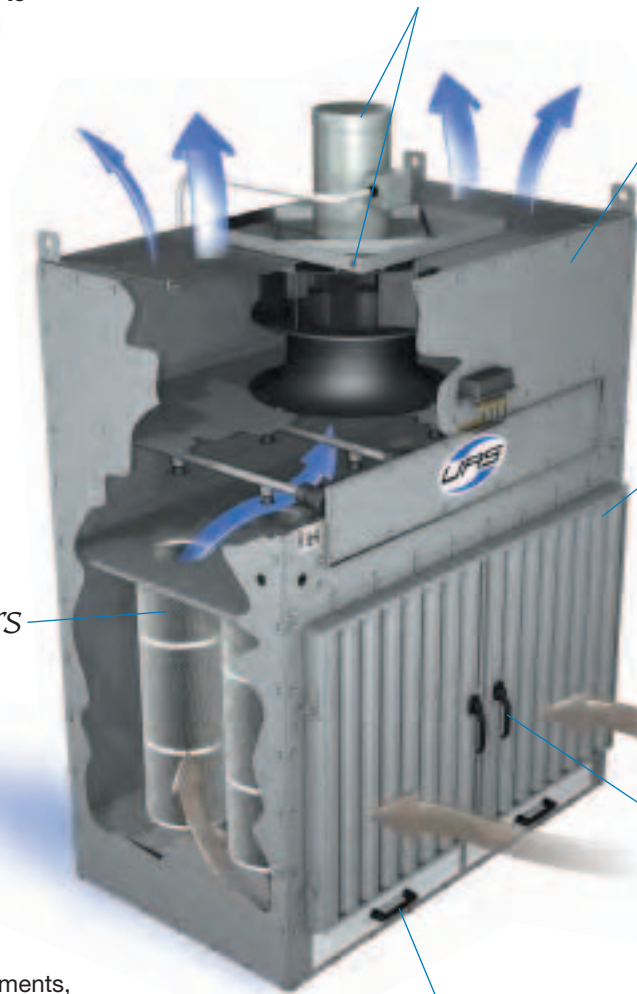
Vertical doors with increased height effectively sweep the operator's breathing zone of potentially harmful contaminants.

Single-Sided Service Access

Makes it easy to back units up against the wall—saving valuable floor space.

Aluminum Dust Drawers with Dual Handles

Offers large capacity dust storage area with sturdy, yet lightweight construction to allow for easy dust removal.



IMPROVES WORKER PRODUCTIVITY AND SAFETY

Our MCB Series has been designed with your employees in mind. Helping your factory comply with OSHA regulations, it offers:

The most efficient fume removal

The MCB unit creates cross-draft ventilation that eliminates hazardous contaminants before recirculating clean air. Plus, the MCB prevents fine dust from migrating to areas with sensitive electrical and mechanical equipment—reducing facility maintenance.

Freedom of movement

Since there are no obstructions from source capture devices, workers can perform their jobs without the need for fume arms, hoods or other barriers that can interfere with manufacturing operations and part movement.

The lowest sound levels

Offering the industry's quietest environmental control booth, the MCB unit uses an enclosed pulse cleaning system that limits sound levels up to 50% less than competitive models.



REDUCES SERVICE TIME AND COST

Our MCB units also greatly reduce air cleaning costs. Here's why:

Easy installation and inspection

Requiring no duct work, fewer assembly modules and less electrical hookups and motors, the MCB unit is simple to install. Plus, it requires no rear access—making inspection easy and optimizing floor space.

Fewer cartridge change outs

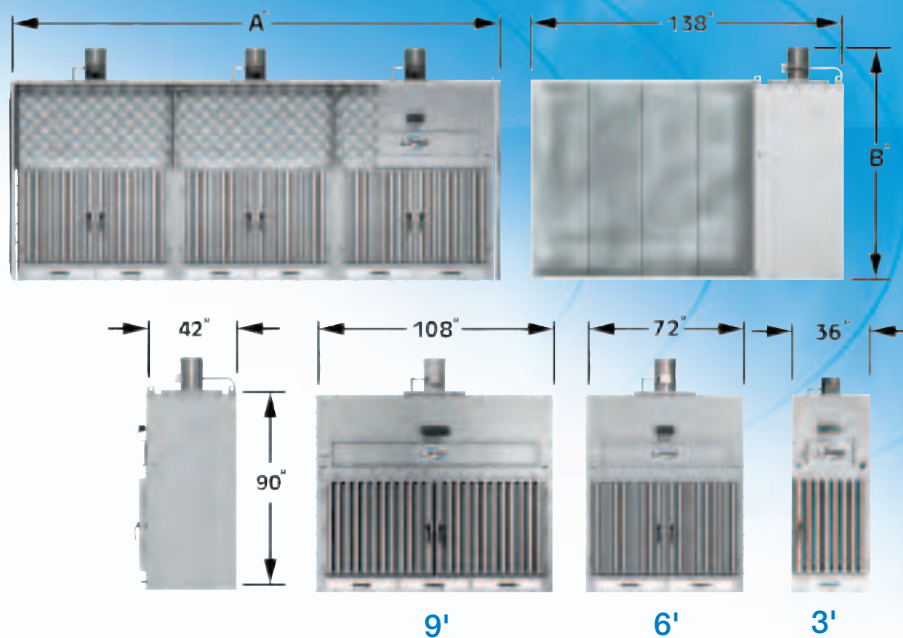
Using advanced computer modeling, our engineers have developed a superior cleaning system that extends cartridge filter life.

Reduced utility costs

A superior louver door design ensures optimal airflow across your workstation—translating into reduced system losses and energy requirements.

SIZES AND DIMENSIONS

Versatile configurations and multiple airflow options allow for optimum equipment sizing and selection. Additionally, custom booth sizes and configurations are available to meet unique applications.



Model	A (in)	B (in)		Clean Airflow (cfm)		Average Face Velocity (fpm)		No. of Cartridges	Filter Area (ft ²)
		STD FLOW	HIGH FLOW	STD FLOW	HIGH FLOW	STD FLOW	HIGH FLOW		
MCB-03	36	N/A	97.69	N/A	4,500	N/A	200	4	1,360
MCB-06-01-X	80	104.16	105.66	6,750	9,000	150	200	8	2,720
MCB-09-10-X	116	105.66	106.66	10,125	13,500	150	200	12	4,080
MCB-12-02-X	153	104.16	105.66	13,500	18,000	150	200	16	5,440
MCB-15-11-X	189	105.66	106.66	16,875	22,500	150	200	20	6,800
MCB-18-03-X	226	104.16	105.66	20,250	27,000	150	200	24	8,160
MCB-18-20-X	225	105.66	106.66	20,250	27,000	150	200	24	8,160
MCB-21-12-X	225	105.66	106.66	23,625	31,500	150	200	28	9,520
MCB-24-04-X	298	104.16	105.66	27,000	36,000	150	200	32	10,880
MCB-24-21-X	298	105.66	106.66	27,000	36,000	150	200	32	10,880
MCB-27-30-X	334	105.66	106.66	30,375	40,500	150	200	36	12,240

OPTIONS AND ACCESSORIES

Booth Enclosures

- **Acoustical Metal** provides superior sound absorption and maximum durability.
- **Acoustical Fabric** offers lower cost sound containment alternative.
- **Vinyl Fabric** provides low-cost dust containment option.

Additional Items

- Aluminum Fan Wheel
- Dust-Resistant Light Fixtures
- Sprinkler Heads
- Photohelic® Gage
- Control Panel
- Motor Starters
- Safety Afterfilter
- Magnehelic Gage
- Custom Paint Colors

Filters

1. Fire retardant (Supra-NetMax-FR)
2. Half-pleat (Supra-FibrousMax)
3. Half-pleat fire retardant (Supra-FibrousMax-FR)

WHY CHOOSE UNITED AIR SPECIALISTS?

A world-renowned reputation. For more than 35 years, we've been the industry leader in air quality technology — a proven track record that speaks for itself.

Commitment to quality products. Measuring our quality against documented expectations, we practice continuous improvement methods to anticipate challenges and implement successful solutions.

Unparalleled customer support. As a customer-driven solutions provider, we earn credibility and establish successful relationships by exceeding expectations for professional service and attitude.

Innovative technical leadership. Always, we keep technology at the forefront — ensuring continuous product advancements through ongoing investments in design and manufacturing.

UAS HEADQUARTERS – USA

4440 Creek Road
Cincinnati, Ohio 45242
1-800-252-4647
www.uasinc.com

AN ISO9001 CERTIFIED COMPANY

UAS – GERMANY

Otto-Hahn-Strasse 6
D-65520 Bad Camberg
Ph: +49-6434-94220
E-mail: info@uas-inc.de

UAS – UNITED KINGDOM

PO Box 17
Folly Lane
Warrington, Cheshire
England WA5 0NP
Ph: +44-1925-654321
E-mail: post@clarcoruk.com

UAS – ASIA

Flat 1, 15/F, Block 1
Grand Pacific Views, Palatial Coast
Siu Lam, Tuen Mun
New Territories, Hong Kong
Ph: +852-2814-7722
E-mail: dlee@clarcor.com



Clean air. It's what we do.™